

Surface-mounted luminaire series ALE ..., ALE ...-TI, titanium colour, direct distribution for T16 lamps

Design: Rigid luminaire housing with extremely scratch resistant white or titanium colour powder coating. With welded-in inset multifunction end pieces for mounting the lampholders and a patented quick release connection facility for the creation of continuous lighting systems as well as for holders for decorative end caps. Louvres with continuous optical effect are used for continuous mounting.

With electronic multiwatt ballasts (EVG) 220-240 V, 0/50-60 Hz.

End caps: Must be ordered separately, see accessories.

Mounting: A variety of fixing kits are available for luminaire mounting (see accessories).

Junction points: Junctions are available for creating continuous lighting system configurations (see accessories)

ALE ... SG

ALE ... SG-TI

Parabolic mirror louvre SG in high-reflectance, specular anodised super-purity aluminium with silver coating

ALE ... SM

ALE ... SM-TI

Parabolic mirror louvre SM in high-reflectance, silk matt anodised super-purity aluminium with silver coating

ALE ... A

ALE ... A-TI

Aluminium mirror louvre A in matt anodised aluminium.

ALE ... W

Louvre W, white coated aluminium

ALE ... P

Prismatic diffuser with internal longitudinal prisms in acrylic (PMMA) - not suitable for continuous mounting.



ALE ... SG
ALE ... SG-TI



ALE ... SM
ALE ... SM-TI



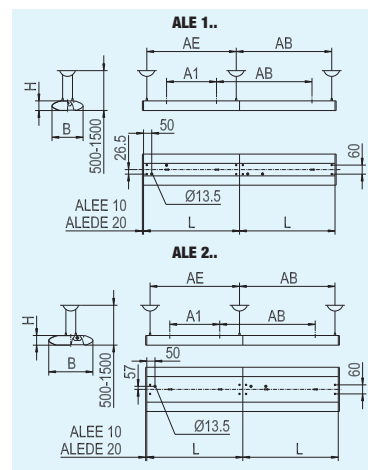
ALE ... A
ALE ... A-TI



ALE ... W



ALE ... P



Model	Lamps	Dimens. [mm]						magnetic ballast Prod. code	electronic ballast Prod. code	dimm. ballast (DALI) Prod. code
		L	B	H	A1	AB	AE			
ALE 114/24 SG	1xT16 14/24 W	580	189	58	300	580	540		0621521	
ALE 128/54 SG	1xT16 28/54 W	1180	189	58	900	1180	1140		0622029	0632029
ALE 128/54 SG-TI	1xT16 28/54 W	1180	189	58	900	1180	1140		0622029TI	0632029TI
ALE 135/49/80 SG	1xT16 35/49/80 W	1480	189	58	1200	1480	1440		0622030	0632030
ALE 135/49/80 SG-TI	1xT16 35/49/80 W	1480	189	58	1200	1480	1440		0622030TI	0632030TI
ALE 214/24 SG	2xT16 14/24 W	580	275	58	300	580	540		0622031	
ALE 228/54 SG	2xT16 28/54 W	1180	275	58	900	1180	1140		0622094	0632094
ALE 228/54 SG-TI	2xT16 28/54 W	1180	275	58	900	1180	1140		0622094TI	0632094TI
ALE 235/49 SG	2xT16 35/49 W	1480	275	58	1200	1480	1440		0622095	0632095
ALE 235/49 SG-TI	2xT16 35/49 W	1480	275	58	1200	1480	1440		0622095TI	0632095TI
ALE 114/24 SM	1xT16 14/24 W	580	189	58	300	580	540		0621520	
ALE 128/54 SM	1xT16 28/54 W	1180	189	58	900	1180	1140		0622034	0632034
ALE 128/54 SM-TI	1xT16 28/54 W	1180	189	58	900	1180	1140		0622034TI	0632034TI
ALE 135/49/80 SM	1xT16 35/49/80 W	1480	189	58	1200	1480	1440		0622035	0632035
ALE 135/49/80 SM-TI	1xT16 35/49/80 W	1480	189	58	1200	1480	1440		0622035TI	0632035TI
ALE 214/24 SM	2xT16 14/24 W	580	275	58	300	580	540		0622036	
ALE 228/54 SM	2xT16 28/54 W	1180	275	58	900	1180	1140		0622096	0632096
ALE 228/54 SM-TI	2xT16 28/54 W	1180	275	58	900	1180	1140		0622096TI	0632096TI
ALE 235/49 SM	2xT16 35/49 W	1480	275	58	1200	1480	1440		0622097	0632097
ALE 235/49 SM-TI	2xT16 35/49 W	1480	275	58	1200	1480	1440		0622097TI	0632097TI
ALE 114/24 A	1xT16 14/24 W	580	189	58	300	580	540		0621518	
ALE 128/54 A	1xT16 28/54 W	1180	189	58	900	1180	1140		0622019	0632019
ALE 128/54 A-TI	1xT16 28/54 W	1180	189	58	900	1180	1140		0622019TI	0632019TI
ALE 135/49/80 A	1xT16 35/49/80 W	1480	189	58	1200	1480	1440		0622020	0632020
ALE 135/49/80 A-TI	1xT16 35/49/80 W	1480	189	58	1200	1480	1440		0622020TI	0632020TI
ALE 214/24 A	2xT16 14/24 W	580	275	58	300	580	540		0622021	
ALE 228/54 A	2xT16 28/54 W	1180	275	58	900	1180	1140		0622090	0632090
ALE 228/54 A-TI	2xT16 28/54 W	1180	275	58	900	1180	1140		0622090TI	0632090TI
ALE 235/49 A	2xT16 35/49 W	1480	275	58	1200	1480	1440		0622091	0632091
ALE 235/49 A-TI	2xT16 35/49 W	1480	275	58	1200	1480	1440		0622091TI	0632091TI
ALE 114/24 W	1xT16 14/24 W	580	189	58	300	580	540		0621516	
ALE 128/54 W	1xT16 28/54 W	1180	189	58	900	1180	1140		0622014	0632014
ALE 135/49/80 W	1xT16 35/49/80 W	1480	189	58	1200	1480	1440		0622015	0632015
ALE 214/24 W	2xT16 14/24 W	580	275	58	300	580	540		0622016	
ALE 228/54 W	2xT16 28/54 W	1180	275	58	900	1180	1140		0622088	0632088
ALE 235/49 W	2xT16 35/49 W	1480	275	58	1200	1480	1440		0622089	0632089
ALE 114/24 P	1xT16 14/24 W	580	189	58	300	580	540		0622116	
ALE 128/54 P	1xT16 28/54 W	1180	189	58	900	1180	1140		0622117	0632117
ALE 135/49/80 P	1xT16 35/49/80 W	1480	189	58	1200	1480	1440		0622118	0632118

Accessories

Model	Description	Prod. code
AG ALE/ABRF 114/124	Counterweight for ALE/ABRF 114/124	0207779
AG ALE/ABRF 121/139	Counterweight for ALE/ABRF 121/139	0207782
AG ALE/ABRF 128/154	Counterweight for ALE/ABRF 128/154	0207783
AG ALE/ABRF 135/149	Counterweight for ALE/ABRF 135/149	0207784
AG ALE/ABRF 214/224	Counterweight for ALE/ABRF 214/224	0207789
AG ALE/ABRF 221/239	Counterweight for ALE/ABRF 221/239	0207791
AG ALE/ABRF 228/254	Counterweight for ALE/ABRF 228/254	0207792
AG ALE/ABRF 235/249	Counterweight for ALE/ABRF 235/249	0207793
ALEDB-T16	Ceiling fixing kit 1+2 lamp ALE D=73, H=20, white, 1 pc	0201707
ALEDB-T16-TI	Ceiling fixing kit 1+2 lamp ALE D=73, H=20, titanium, 1 pc	0201707TI
ALEDE 1	Decorative end cap for 1 lamp ALE, curved, white, 1 pc	0201565
ALEDE 1-TI	Decorative end cap for 1 lamp ALE, curved, titanium, 1 pc	0201565TI
ALEDE 2	Decorative end cap for 2 lamp ALE, curved, white, 1 pc	0201566
ALEDE 2-TI	Decorative end cap for 2 lamp ALE, curved, titanium, 1 pc	0201566TI
ALEE 1	Decorative end cap for 1 lamp ALE, flat, white, 1 pc	0201705
ALEE 2	Decorative end cap for 2 lamp ALE, flat, white, 1 pc	0201706
ALEWH 1..	Wall holder for ALE 1-lamp, white, 1 pc	0205059
ALEWH 1..-TI	Wall holder for ALE 1-lamp, titanium, 1 pc	0205059TI
DAD	White ceiling outlet box for power supply, 3 x 1.5 mm ²	0201636
DAD-TI	Titanium ceiling outlet box for power supply 3 x 1.5 mm ²	0201636TI
¹⁾ UKN	Universal junction, D=120, H=60, white 1 pc	0203253
¹⁾ UKN-TI	Universal junction, D=120, H=60 titanium, 1 pc	0203253TI
UKNA-ALE 1..	Univ. junction adapter f. ALE 1.., dist.=180, white, TW	0203255
UKNA-ALE 1..-TI	Univ. junction adapter f. ALE 1.., dist.=180, titanium, TW	0203255TI
UKND	Ceiling fixing kit for UKN	0208105
UKNS	Wire pendant w. ceiling fixing and wire clamp, 1.5m, 1 pc	0210958
UKNSB	Wire pendant w. domed canopy, white, wire clamp, 1.5m, 1 pc	0210959
UKNSB-TI	Wire pendant w. domed canopy, titan., wire clamp, 1.5m, 1 pc	0210959TI
ZAL 3x0.75/1.5M-T	Clear mains cable, 3x0.75mm ² , 1.5 metre	0203579
ZAL 5x0.75/1.5M-T	Clear mains cable, 5x0.75mm ² , 1.5 metre	0203580
ZDBE	Rectang. canopy, white, for 'Y' wire pendant ZUSP & UKNS	0204332
ZDBE-TI	Rectang. canopy, titanium, for 'Y' wire pendant, ZUSP&UKNS	0204332TI
ZIDV 36/3/1,5	Through wiring T26-36W and T16-28/54W, 3x1.5mm ²	0201201
ZIDV 36/5/1,5	Through wiring T26-36W and T16-28/54W, 5x1.5mm ²	0200254
ZIDV 58/3/1,5	Through wiring T26-58W and T16-35/49/80W, 3x1.5mm ²	0201202
ZIDV 58/5/1,5	Through wiring T26-58W and T16-35/49/80W, 5x1.5mm ²	0200255
ZSP	Wire pendant, ceiling fixture, wire clamp 1.5m, 1 pc	0205017
ZSPE	Wire pendant, rect. canopy white, wire clamp, 1.5m, 1 pc	0202867
ZSPE-TI	Wire pendant, rect. canopy titan. wire clamp, 1.5m, 1 pc	0202867TI
ZSPES	Wire pendant, rect. canopy white, man. clamp, 1.5m, 1 pc	0202876
ZSPES-TI	Wire pendant, rect. canopy titan. man. clamp, 1.5m, 1 pc	0202876TI
ZSPH	Wire pendant, domed canopy, white, wire clamp 1.5m, 1 pc	0201619
ZSPH-TI	Wire pendant, domed canopy, titan. wire clamp 1.5m, 1 pc	0201619TI
ZSPHS	Wire pendant, domed canopy, white, man. clamp 1.5m, 1 pc	0205027
ZSPHS-TI	Wire pendant, domed canopy, titan. man. clamp 1.5m, 1 pc	0205027TI
ZSPS	Wire pendant, ceiling fixture, manual wire clamp 1.5m, 1 pc	0205018
¹⁾ ZSPTS	'Y' wire pendant w. ceiling fixture, manual clamp, 1.5m, 1 pc	0203537
¹⁾ ZSPTSE 1,5M	Wire pendant rectangular canopy, white, wire clamp, 1.5m	0202926
¹⁾ ZSPTSE 1,5M-TI	Wire pendant rectangular canopy, titan., wire clamp, 1.5m	0202926TI
¹⁾ ZSPTSH 1,5M	Wire pendant domed canopy, white, wire clamp, 1.5m	0202927
¹⁾ ZSPTSH 1,5M-TI	Wire pendant domed canopy, titan., wire clamp, 1.5m	0202927TI
ZWL 3x1,5/1M	White spiral cable, 3 x 1.5 mm ² , L= 1.0 metre	0200805
ZWL 3x1,5/1M-SW	Black spiral cable, 3 x 1.5 mm ² , L=1.0 metre	0203251
ZWL 3x1,5/2M	White spiral cable, 3 x 1.5 mm ² , L= 2.0 metres	0201543
ZWL 3x1,5/2M-SW	Black spiral cable, 3 x 1.5 mm ² , L= 2.0 metres	0203252



Note: One wire or tube pendant must be ordered per suspension point.

¹⁾ For pendant luminaire mounting with this accessory, please order a retrofit counterweight AG ALE/ABRF ... ensure compatibility with the specific luminaire type.

The counterweight can be pre-fitted in the factory on request.



Pendant-mounted luminaire series ALE HI ..., ALE HI ... TI, titanium colour, with high indirect component for T16 lamps

Design: Rigid luminaire housing with extremely scratch resistant white or titanium colour powder coating. With welded-in inset multifunction end pieces for mounting the lampholders and a patented quick release connection facility for the creation of continuous lighting systems as well as for holders for decorative end caps. Louvres with continuous optical effect are used for continuous mounting. Luminaire top with large openings for high indirect illuminance of around 60%. With electronic multiwatt ballasts (EVG) 220-240 V, 0/50-60 Hz Prefitted counterweight.

End caps: Must be ordered separately, see accessories.

Mounting: A variety of fixing kits are available for luminaire mounting (see accessories). With pendant tube mounting using ZRO..., a fixing bracket ZRP-BW must be ordered for each pendant tube.

Junction points: Junctions are available for creating continuous lighting system configurations (see accessories)

ALE HI ... SG

ALE HI ... SG-TI

Parabolic mirror louvre SG in high-reflectance, specular anodised super-purity aluminium with silver coating

ALE HI ... SM

ALE HI ... SM-TI

Parabolic mirror louvre SM in high-reflectance, matt anodised super-purity aluminium with silver coating

ALE HI ... A

ALE HI ... A-TI

Aluminium mirror louvre A in matt anodised aluminium.

ALE HI ... W

ALE HI ... W-TI

Louvre W, white coated aluminium



ALE HI ... SG
ALE HI ... SG-TI



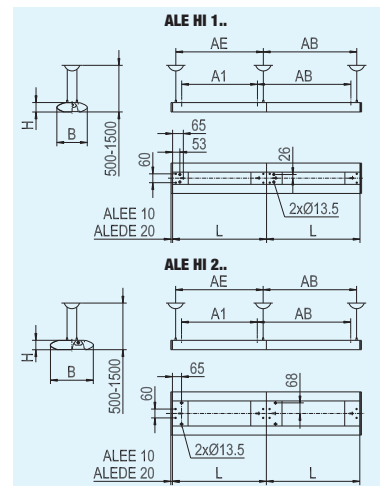
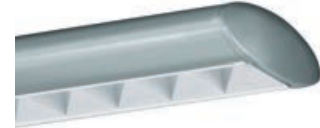
ALE HI ... SM
ALE HI ... SM-TI



ALE HI ... A
ALE HI ... A-TI



ALE HI ... W
ALE HI ... W-TI



Model	Lamps	Dimens. [mm]						magnetic ballast Prod. code	electronic ballast Prod. code	dim. ballast (DALI) Prod. code
		L	B	H	A1	AB	AE			
ALE HI 114/24 SG	1xT16 14/24 W	580	189	58	450	580	540		0621637	
ALE HI 128/54 SG	1xT16 28/54 W	1180	189	58	1050	1180	1140		0622079	0632079
ALE HI 128/54 SG-TI	1xT16 28/54 W	1180	189	58	1050	1180	1140		0622079TI	0632079TI
ALE HI 135/49/80 SG	1xT16 35/49/80 W	1480	189	58	1350	1480	1440		0622080	0632080
ALE HI 135/49/80 SG-TI	1xT16 35/49/80 W	1480	189	58	1350	1480	1440		0622080TI	0632080TI
ALE HI 214/24 SG	2xT16 14/24 W	580	275	58	450	580	540		0622081	
ALE HI 228/54 SG	2xT16 28/54 W	1180	275	58	1050	1180	1140		0622104	0632104
ALE HI 228/54 SG-TI	2xT16 28/54 W	1180	275	58	1050	1180	1140		0622104TI	0632104TI
ALE HI 235/49 SG	2xT16 35/49 W	1480	275	58	1350	1480	1440		0622105	0632105
ALE HI 235/49 SG-TI	2xT16 35/49 W	1480	275	58	1350	1480	1440		0622105TI	0632105TI
ALE HI 114/24 SM	1xT16 14/24 W	580	189	58	450	580	540		0621636	
ALE HI 128/54 SM	1xT16 28/54 W	1180	189	58	1050	1180	1140		0622084	0632084
ALE HI 128/54 SM-TI	1xT16 28/54 W	1180	189	58	1050	1180	1140		0622084TI	0632084TI
ALE HI 135/49/80 SM	1xT16 35/49/80 W	1480	189	58	1350	1480	1440		0622085	0632085
ALE HI 135/49/80 SM-TI	1xT16 35/49/80 W	1480	189	58	1350	1480	1440		0622085TI	0632085TI
ALE HI 214/24 SM	2xT16 14/24 W	580	275	58	450	580	540		0622086	
ALE HI 228/54 SM	2xT16 28/54 W	1180	275	58	1050	1180	1140		0622106	0632106
ALE HI 228/54 SM-TI	2xT16 28/54 W	1180	275	58	1050	1180	1140		0622106TI	0632106TI
ALE HI 235/49 SM	2xT16 35/49 W	1480	275	58	1350	1480	1440		0622107	0632107
ALE HI 235/49 SM-TI	2xT16 35/49 W	1480	275	58	1350	1480	1440		0622107TI	0632107TI
ALE HI 114/24 A	1xT16 14/24 W	580	189	58	450	580	540		0621634	
ALE HI 128/54 A	1xT16 28/54 W	1180	189	58	1050	1180	1140		0622069	0632069
ALE HI 128/54 A-TI	1xT16 28/54 W	1180	189	58	1050	1180	1140		0622069TI	0632069TI
ALE HI 135/49/80 A	1xT16 35/49/80 W	1480	189	58	1350	1480	1440		0622070	0632070
ALE HI 135/49/80 A-TI	1xT16 35/49/80 W	1480	189	58	1350	1480	1440		0622070TI	0632070TI
ALE HI 214/24 A	2xT16 14/24 W	580	275	58	450	580	540		0622071	
ALE HI 228/54 A	2xT16 28/54 W	1180	275	58	1050	1180	1140		0622100	0632100
ALE HI 228/54 A-TI	2xT16 28/54 W	1180	275	58	1050	1180	1140		0622100TI	0632100TI
ALE HI 235/49 A	2xT16 35/49 W	1480	275	58	1350	1480	1440		0622101	0632101
ALE HI 235/49 A-TI	2xT16 35/49 W	1480	275	58	1350	1480	1440		0622101TI	0632101TI
ALE HI 114/24 W	1xT16 14/24 W	580	189	58	450	580	540		0621632	
ALE HI 128/54 W	1xT16 28/54 W	1180	189	58	1050	1180	1140		0622064	0632064
ALE HI 128/54 W-TI	1xT16 28/54 W	1180	189	58	1050	1180	1140		0622064TI	0632064TI
ALE HI 135/49/80 W	1xT16 35/49/80 W	1480	189	58	1350	1480	1440		0622065	0632065
ALE HI 135/49/80 W-TI	1xT16 35/49/80 W	1480	189	58	1350	1480	1440		0622065TI	0632065TI
ALE HI 214/24 W	2xT16 14/24 W	580	275	58	450	580	540		0622066	
ALE HI 228/54 W	2xT16 28/54 W	1180	275	58	1050	1180	1140		0622098	0632098
ALE HI 228/54 W-TI	2xT16 28/54 W	1180	275	58	1050	1180	1140		0622098TI	0632098TI
ALE HI 235/49 W	2xT16 35/49 W	1480	275	58	1350	1480	1440		0622099	0632099
ALE HI 235/49 W-TI	2xT16 35/49 W	1480	275	58	1350	1480	1440		0622099TI	0632099TI

Accessories

Model	Description	Prod. code			
ALE-A10 124	Top cover for ALE-HI 114/24, white, indirect light 10%	0207900			
ALE-A10 124TI	Top cover for ALE-HI 114/24, titanium, indirect light 10%	0207900TI			
ALE-A10 154	Top cover for ALE-HI 128/54, white, indirect light 10%	0207901			
ALE-A10 154TI	Top cover for ALE-HI 128/54, titanium, indirect light 10%	0207901TI			
ALE-A10 180	Top cover for ALE-HI 135/49/80, white, indirect light 10%	0207902			
ALE-A10 180TI	Top cover for ALE-HI 135/49/80, titanium, indirect light 10%	0207902TI			
ALE-A10 224	Top cover for ALE-HI 214/24, white, indirect light 10%	0207903			
ALE-A10 224TI	Top cover for ALE-HI 214/24, titanium, indirect light 10%	0207903TI			
ALE-A10 249	Top cover for ALE-HI 235/49, white, indirect light 10%	0207905			
ALE-A10 249TI	Top cover for ALE-HI 235/49, titanium, indirect light 10%	0207905TI			
ALE-A10 254	Top cover for ALE-HI 228/54, white, indirect light 10%	0207904			
ALE-A10 254TI	Top cover for ALE-HI 228/54, titanium, indirect light 10%	0207904TI			
ALE-A30 124	Top cover for ALE-HI 114/24, white, indirect light 30%	0207888			
ALE-A30 124TI	Top cover for ALE-HI 114/24, titanium, indirect light 30%	0207888TI			
ALE-A30 154	Top cover for ALE-HI 128/54, white, indirect light 30%	0207889			
ALE-A30 154TI	Top cover for ALE-HI 128/54, titanium, indirect light 30%	0207889TI			
ALE-A30 180	Top cover for ALE-HI 135/49/80, white, indirect light 30%	0207890			
ALE-A30 180TI	Top cover for ALE-HI 135/49/80, titanium, indirect light 30%	0207890TI			
ALE-A30 224	Top cover for ALE-HI 214/24, white, indirect light 30%	0207891			
ALE-A30 224TI	Top cover for ALE-HI 214/24, titanium, indirect light 30%	0207891TI			
ALE-A30 249	Top cover for ALE-HI 235/49, white, indirect light 30%	0207893			
ALE-A30 249TI	Top cover for ALE-HI 235/49, titanium, indirect light 30%	0207893TI			
ALE-A30 254	Top cover for ALE-HI 228/54, white, indirect light 30%	0207892			
ALE-A30 254TI	Top cover for ALE-HI 228/54, titanium, indirect light 30%	0207892TI			
ALE-AS 124 PS	Top diffuser for ALE-HI 114/24, white, indirect light 45%	0207926			
ALE-AS 124 PS-TI	Top diffuser for ALE-HI 114/24, titanium, indirect light 45%	0207926TI			
ALE-AS 154 PS	Top diffuser for ALE-HI 128/54, white, indirect light 45%	0207927			
ALE-AS 154 PS-TI	Top diffuser for ALE-HI 128/54, titanium, indirect light 45%	0207927TI			
ALE-AS 180 PS	Top diffuser for ALE-HI 135/49/80, white, indirect light 45%	0207928			
ALE-AS 180 PS-TI	Top diffuser for ALE-HI 135/49/80, titanium, ind. light 45%	0207928TI			
ALE-AS 224 PS	Top diffuser for ALE-HI 214/24, white, indirect light 45%	0207929			
ALE-AS 224 PS-TI	Top diffuser for ALE-HI 214/24, titanium, ind. light 45%	0207929TI			
ALE-AS 249 PS	Top diffuser for ALE-HI 235/49, white, indirect light 45%	0207931			
ALE-AS 249 PS-TI	Top diffuser for ALE-HI 235/49, titanium, indirect light 45%	0207931TI			
ALE-AS 254 PS	Top diffuser for ALE-HI 228/54, white, indirect light 45%	0207930			
ALE-AS 254 PS-TI	Top diffuser for ALE-HI 228/54, titanium, indirect light 45%	0207930TI			
ALEDB-T16	Ceiling fixing kit 1+2 lamp ALE D=73, H=20, white, 1 pc	0201707			
ALEDB-T16-TI	Ceiling fixing kit 1+2 lamp ALE D=73, H=20, titanium, 1 pc	0201707TI			
ALEDE 1	Decorative end cap for 1 lamp ALE, curved, white, 1 pc	0201565			
ALEDE 1-TI	Decorative end cap for 1 lamp ALE, curved, titanium, 1 pc	0201565TI			
ALEDE 2	Decorative end cap for 2 lamp ALE, curved, white, 1 pc	0201566			
ALEDE 2-TI	Decorative end cap for 2 lamp ALE, curved, titanium, 1 pc	0201566TI			
ALEE 1	Decorative end cap for 1 lamp ALE, flat, white, 1 pc	0201705			
ALEE 2	Decorative end cap for 2 lamp ALE, flat, white, 1 pc	0201706			
ALEWH 1..	Wall holder for ALE 1-lamp, white, 1 pc	0205059			
ALEWH 1...-TI	Wall holder for ALE 1-lamp, titanium, 1 pc	0205059TI			
DAD	White ceiling outlet box for power supply, 3 x 1.5 mm ²	0201636			
DAD-TI	Titanium ceiling outlet box for power supply 3 x 1.5 mm ²	0201636TI			
UKN	Universal junction, D=120, H=60, white 1 pc	0203253			
UKN-TI	Universal junction, D=120, H=60 titanium, 1 pc	0203253TI			
UKNA-ALE 1..	Univ. junction adapter f. ALE 1.., dist.=180, white, TW	0203255			
UKNA-ALE 1..-TI	Univ. junction adapter f. ALE 1.., dist.=180, titanium, TW	0203255TI			
UKND	Ceiling fixing kit for UKN	0208105			
UKNS	Wire pendant w. ceiling fixing and wire clamp, 1.5m, 1 pc	0210958			
UKNSB	Wire pendant w. domed canopy, white, wire clamp, 1.5m, 1 pc	0210959			
UKNSB-TI	Wire pendant w. domed canopy, titan., wire clamp, 1.5m, 1 pc	0210959TI			
ZAL 3x0,75/1,5M-T	Clear mains cable, 3x0.75mm ² , 1.5 metre	0203579			
ZAL 5x0,75/1,5M-T	Clear mains cable, 5x0.75mm ² , 1.5 metre	0203580			
ZDBE	Rectang. canopy, white, for 'Y' wire pendant ZUSP & UKNS	0204332			
ZDBE-TI	Rectang. canopy, titanium, for 'Y' wire pendant ZUSP&UKNS	0204332TI			
ZIDV 36/3/1,5	Through wiring T26-36W and T16-28/54W, 3x1.5mm ²	0201201			
ZIDV 36/5/1,5	Through wiring T26-36W and T16-28/54W, 5x1.5mm ²	0200254			
ZIDV 58/3/1,5	Through wiring T26-58W and T16-35/49/80W, 3x1.5mm ²	0201202			
ZIDV 58/5/1,5	Through wiring T26-58W and T16-35/49/80W, 5x1.5mm ²	0200255			
ZRP-BW	Bracket for tube pendant mounting with ZRP... white	0205022			
ZRP-BW-TI	Bracket for tube pendant mounting with ZRP... titanium	0205022TI			
ZRPH 050	Tube pendant, domed canopy, white, L=0.5m, 1 pc	0205020			
ZRPH 050 TI	Tube pendant with domed canopy, titanium, L=0.5 m, 1 pc	0205020TI			
ZRPH 100	Tube pendant, domed canopy, white, L=1.0 m, 1 pc	0205021			
ZRPH 100 TI	Tube pendant with domed canopy, titanium, L=1.0 m, 1 pc	0205021TI			
ZSP	Wire pendant, ceiling fixture, wire clamp 1.5m, 1 pc	0205017			
ZSPE	Wire pendant, rect. canopy white, wire clamp, 1.5m, 1 pc	0202867			
ZSPE-TI	Wire pendant, rect. canopy titan. wire clamp, 1.5m, 1 pc	0202867TI			
ZSPES	Wire pendant, rect. canopy white, man. clamp, 1.5m, 1 pc	0202876			
ZSPES-TI	Wire pendant, rect. canopy titan. man. clamp, 1.5m, 1 pc	0202876TI			
ZSPH	Wire pendant, domed canopy, white, wire clamp 1.5m, 1 pc	0201619			
ZSPH-TI	Wire pendant, domed canopy, titan. wire clamp 1.5m, 1 pc	0201619TI			
ZSPHS	Wire pendant, domed canopy, white, man. clamp 1.5m, 1 pc	0205027			
ZSPHS-TI	Wire pendant, domed canopy, titan. man. clamp 1.5m, 1 pc	0205027TI			
ZSPS	Wire pendant, ceiling fixture, manual wire clamp 1.5m, 1 pc	0205018			
ZSPTS	'Y' wire pendant w. ceiling fixture, manual clamp, 1.5m, 1 pc	0203537			
ZSPTSE 1,5M	Wire pendant rectangular canopy, white, wire clamp, 1.5m	0202926			
ZSPTSE 1,5M-TI	Wire pendant rectangular canopy, titan., wire clamp, 1.5m	0202926TI			
ZSPTSH 1,5M	Wire pendant domed canopy, white, wire clamp, 1.5m	0202927			
ZSPTSH 1,5M-TI	Wire pendant domed canopy, titan., wire clamp, 1.5m	0202927TI			
ZWL 3x1,5/1M	White spiral cable, 3 x 1.5 mm ² , L= 1.0 metre	0200805			
ZWL 3x1,5/1M-SW	Black spiral cable, 3 x 1.5 mm ² , L=1.0 metre	0203251			
ZWL 3x1,5/2M	White spiral cable, 3 x 1.5 mm ² , L= 2.0 metres	0201543			
ZWL 3x1,5/2M-SW	Black spiral cable, 3 x 1.5 mm ² , L= 2.0 metres	0203252			

Note: One wire or tube pendant must be ordered per suspension point.

ALE-W for T 16 lamps

Surface mounted luminaire series ALE W ..., ALE W ...-TI, titanium colour, wall washer for T16 lamps

Design: Rigid luminaire housing with extremely decorative scratch resistant white or titanium colour powder coating. With welded-in inset multifunction end pieces for mounting the lampholders and a patented quick release connection facility for the creation of continuous lighting systems as well as for holders for decorative end caps. With electronic multiwatt ballasts (EVG) 220-240 V, 0/50-60 Hz.

End caps: Must be ordered separately, see accessories.

Mounting: A variety of fixing kits are available for luminaire mounting (see accessories).

Junction points: Junctions are available for creating continuous lighting system configurations (see accessories)

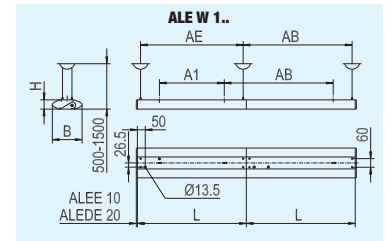
ALE W

ALE W-TI

Parabolic reflector in high-reflectance, matt anodised super-purity aluminium with silver coating, interference-free and providing good asymmetric light distribution.



ALE W
ALE W-TI



Model	Lamps	Dimens. [mm]						magnetic ballast Prod. code	electronic ballast Prod. code	dimmm. ballast (DALI) Prod. code
		L	B	H	A1	AB	AE			
ALE W 124	1xT16 24 W	580	189	58	300	580	540		0621852	
ALE W 128/54	1xT16 28/54 W	1180	189	58	900	1180	1140		0621854	0631854
ALE W 128/54 TI	1xT16 28/54 W	1180	189	58	900	1180	1140		0621854TI	0631854TI
ALE W 135/49/80	1xT16 35/49/80 W	1480	189	58	1200	1480	1440		0621855	0631855
ALE W 135/49/80 TI	1xT16 35/49/80 W	1480	189	58	1200	1480	1440		0621855TI	0631855TI



Accessories

Model	Description	Prod. code
AG ALE/ABRF 114/124	Counterweight for ALE/ABRF 114/124	0207779
AG ALE/ABRF 121/139	Counterweight for ALE/ABRF 121/139	0207782
AG ALE/ABRF 128/154	Counterweight for ALE/ABRF 128/154	0207783
AG ALE/ABRF 135/149	Counterweight for ALE/ABRF 135/149	0207784
ALEDB-T16	Ceiling fixing kit 1+2 lamp ALE D=73, H=20, white, 1 pc	0201707
ALEDB-T16-TI	Ceiling fixing kit 1+2 lamp ALE D=73, H=20, titanium, 1 pc	0201707TI
ALEDE 1	Decorative end cap for 1 lamp ALE, curved, white, 1 pc	0201565
ALEDE 1-TI	Decorative end cap for 1 lamp ALE, curved, titanium, 1 pc	0201565TI
ALEDE 2	Decorative end cap for 2 lamp ALE, curved, white, 1 pc	0201566
ALEDE 2-TI	Decorative end cap for 2 lamp ALE, curved, titanium, 1 pc	0201566TI
ALEE 1	Decorative end cap for 1 lamp ALE, flat, white, 1 pc	0201705
ALEE 2	Decorative end cap for 2 lamp ALE, flat, white, 1 pc	0201706
ALEWH 1..	Wall holder for ALE 1-lamp, white, 1 pc	0205059
ALEWH 1..-TI	Wall holder for ALE 1-lamp, titanium, 1 pc	0205059TI
DAD	White ceiling outlet box for power supply, 3 x 1.5 mm ²	0201636
DAD-TI	Titanium ceiling outlet box for power supply 3 x 1.5 mm ²	0201636TI
¹⁾ UKN	Universal junction, D=120, H=60, white 1 pc	0203253
¹⁾ UKN-TI	Universal junction, D=120, H=60 titanium, 1 pc	0203253TI
UKNA-ALE 1..	Univ. junction adapter f. ALE 1.., dist.=180, white, TW	0203255
UKNA-ALE 1..-TI	Univ. junction adapter f. ALE 1.., dist.=180, titanium, TW	0203255TI
UKND	Ceiling fixing kit for UKN	0208105
UKNS	Wire pendant w. ceiling fixing and wire clamp, 1.5m, 1 pc	0210958
UKNSB	Wire pendant w. domed canopy, white, wire clamp, 1.5m, 1 pc	0210959
UKNSB-TI	Wire pendant w. domed canopy, titan., wire clamp, 1.5m, 1 pc	0210959TI
ZAL 3x0,75/1,5M-T	Clear mains cable, 3x0.75mm ² , 1.5 metre	0203579
ZAL 5x0,75/1,5M-T	Clear mains cable, 5x0.75mm ² , 1.5 metre	0203580
ZDBE	Rectang. canopy, white, for 'Y' wire pendant ZUSP & UKNS	0204332
ZDBE-TI	Rectang. canopy, titanium, for 'Y' wire pendant, ZUSP&UKNS	0204332TI
ZIDV 36/3/1,5	Through wiring T26-36W and T16-28/54W, 3x1.5mm ²	0201201
ZIDV 36/5/1,5	Through wiring T26-36W and T16-28/54W, 5x1.5mm ²	0200254
ZIDV 58/3/1,5	Through wiring T26-58W and T16-35/49/80W, 3x1.5mm ²	0201202
ZIDV 58/5/1,5	Through wiring T26-58W and T16-35/49/80W, 5x1.5mm ²	0200255
ZSP	Wire pendant, ceiling fixture, wire clamp 1.5m, 1 pc	0205017
ZSPE	Wire pendant, rect. canopy white, wire clamp, 1.5m, 1 pc	0202867
ZSPE-TI	Wire pendant, rect. canopy titan. wire clamp, 1.5m, 1 pc	0202867TI
ZSPES	Wire pendant, rect. canopy white, man. clamp, 1.5m, 1 pc	0202876
ZSPES-TI	Wire pendant, rect. canopy titan. man. clamp, 1.5m, 1 pc	0202876TI
ZSPH	Wire pendant, domed canopy, white, wire clamp 1.5m, 1 pc	0201619
ZSPH-TI	Wire pendant, domed canopy, titan. wire clamp 1.5m, 1 pc	0201619TI
ZSPHS	Wire pendant, domed canopy, white, man. clamp 1.5m, 1 pc	0205027
ZSPHS-TI	Wire pendant, domed canopy, titan. man. clamp 1.5m, 1 pc	0205027TI
ZSPS	Wire pendant, ceiling fixture, manual wire clamp 1.5m, 1 pc	0205018
¹⁾ ZSPTS	'Y' wire pendant w. ceiling fixture, manual clamp, 1.5m, 1 pc	0203537
¹⁾ ZSPTSE 1,5M	Wire pendant rectangular canopy, white, wire clamp, 1.5m	0202926
¹⁾ ZSPTSE 1,5M-TI	Wire pendant rectangular canopy, titan., wire clamp, 1.5m	0202926TI
¹⁾ ZSPTSH 1,5M	Wire pendant domed canopy, white, wire clamp, 1.5m	0202927
¹⁾ ZSPTSH 1,5M-TI	Wire pendant domed canopy, titan., wire clamp, 1.5m	0202927TI
ZWL 3x1,5/1M	White spiral cable, 3 x 1.5 mm ² , L= 1.0 metre	0200805
ZWL 3x1,5/1M-SW	Black spiral cable, 3 x 1.5 mm ² , L=1.0 metre	0203251
ZWL 3x1,5/2M	White spiral cable, 3 x 1.5 mm ² , L= 2.0 metres	0201543
ZWL 3x1,5/2M-SW	Black spiral cable, 3 x 1.5 mm ² , L= 2.0 metres	0203252

Note: One wire or tube pendant must be ordered per suspension point.

¹⁾ For pendant luminaire mounting with this accessory, please order a retrofit counterweight AG ALE/ABRF ... ensure compatibility with the specific luminaire type.

The counterweight can be pre-fitted in the factory on request.

